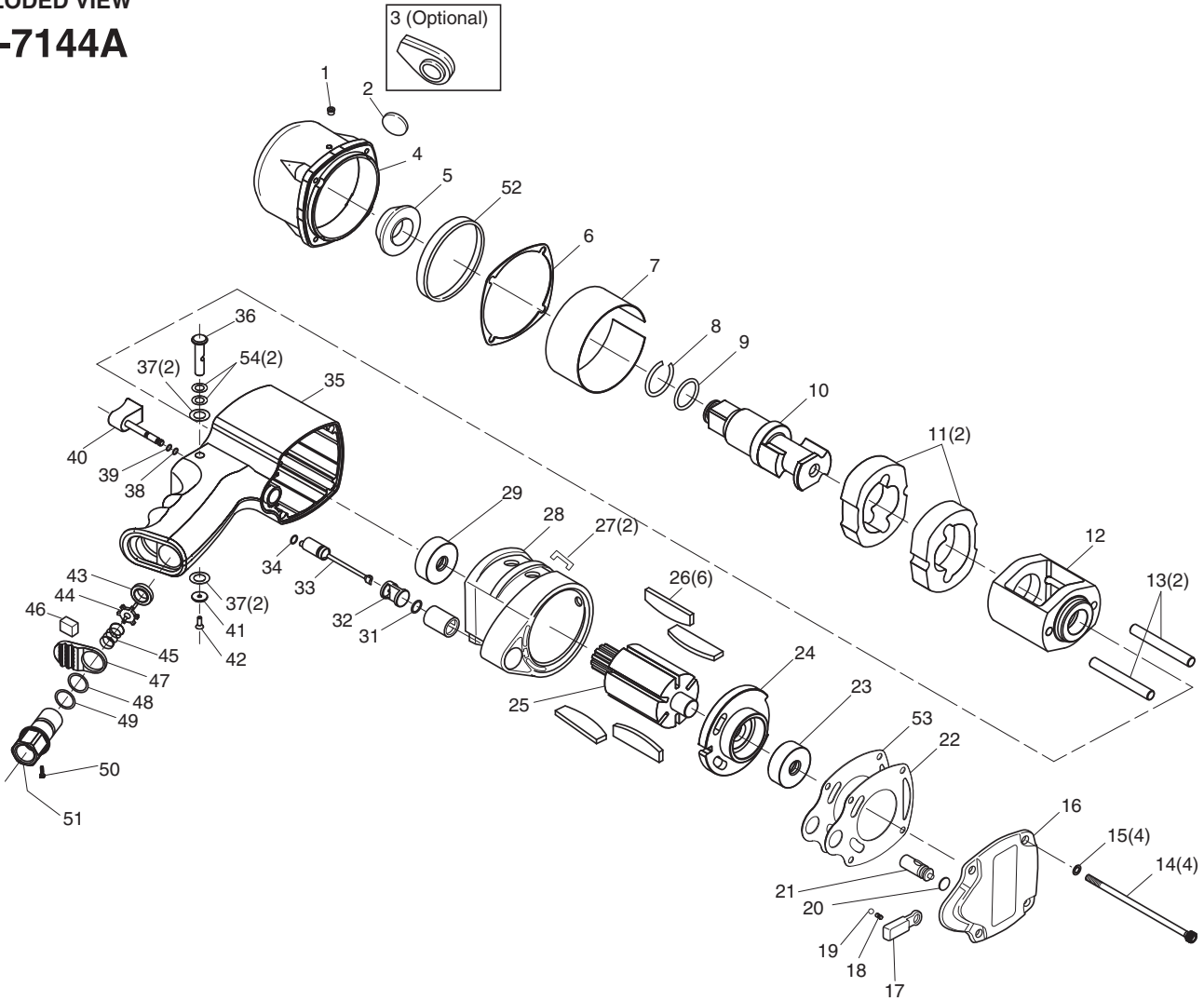


1/2" SQ.DR. IMPACT WRENCH

EXPLODED VIEW SP-7144A



PARTS LIST

| Index No. | Parts No. | Description | Qty. Per tool |
|-----------|-----------|---------------------------|---------------|
| 1 | 7144-01 | Grease Fitting | 1 |
| 2 | 7144-02 | Plate | 1 |
| 3 | 7144-03 | LED Light Unit (Optional) | 1 |
| 4 | 7144-04 | Hammer Case | 1 |
| 5 | 7144-05 | Spindle Bush | 1 |
| 6 | 7144-06 | Hammer Case Gasket | 1 |
| 7 | 7144-07 | Sleeve | 1 |
| 8 | 7144-08 | Retainer Ring | 1 |
| 9 | 7144-09 | O-Ring | 1 |
| 10 | 7144-10 | Spindle | 1 |
| 11 | 7144-11 | Hammer | 2 |
| 12 | 7144-12 | Hammer Frame | 1 |
| 13 | 7144-13 | Hammer Pin | 2 |
| 14 | 7144-14 | Hex. Bolt | 4 |
| 15 | 7144-15 | Washer | 4 |
| 16 | 7144-16 | Housing Cap | 1 |
| 17 | 7144-17 | Regulator Lever | 1 |
| 18 | 7144-18 | Spring | 1 |
| 19 | 7144-19 | Steel Ball | 1 |
| 20 | 7144-20 | O-Ring | 1 |
| 21 | 7144-21 | Regulator | 1 |
| 22 | 7144-22 | Gasket | 1 |
| 23 | 7144-23 | Ball Bearing | 1 |
| 24 | 7144-24 | Rear End Plate | 1 |
| 25 | 7144-25 | Rotor | 1 |
| 26 | 7144-26 | Rotor Blade | 6 |
| 27 | 7144-27 | Cylinder Cap | 2 |
| 28 | 7144A-28 | Cylinder | 1 |
| 29 | 7144-29 | Ball Bearing | 1 |

| Index No. | Parts No. | Description | Qty. Per tool |
|-----------|-----------|----------------|---------------|
| 31 | 7144-31 | O-Ring | 1 |
| 32 | 7144A-32 | Reverse Valve | 1 |
| 33 | 7144-33 | Reverse Shaft | 1 |
| 34 | 7144-34 | O-Ring | 1 |
| 35 | 7144-35 | Housing | 1 |
| 36 | 7144-36 | Reverse Button | 1 |
| 37 | 7144-37 | Cushion Ring | 2 |
| 38 | 7144-38 | O-Ring | 1 |
| 39 | 7144-39 | O-Ring | 1 |
| 40 | 7144-40 | Trigger | 1 |
| 41 | 7144-41 | Washer | 1 |
| 42 | 7144-42 | Torx. Screw | 1 |
| 43 | 7144-43 | Valve Seat | 1 |
| 44 | 7144-44 | Valve | 1 |
| 45 | 7144-45 | Valve Spring | 1 |
| 46 | 7144-46 | Muffler Form | 1 |
| 47 | 7144-47 | Deflector | 1 |
| 48 | 7144-48 | O-Ring | 1 |
| 49 | 7144-49 | O-Ring | 1 |
| 50 | 7144-50 | Hex. Screw | 1 |
| 51 | 7144-51 | Inlet Bushing | 1 |
| 52 | 7144-52 | Plastic Ring | 1 |
| 53 | 7144-53 | Gasket | 1 |
| 54 | 7144-54 | O-Ring | 2 |