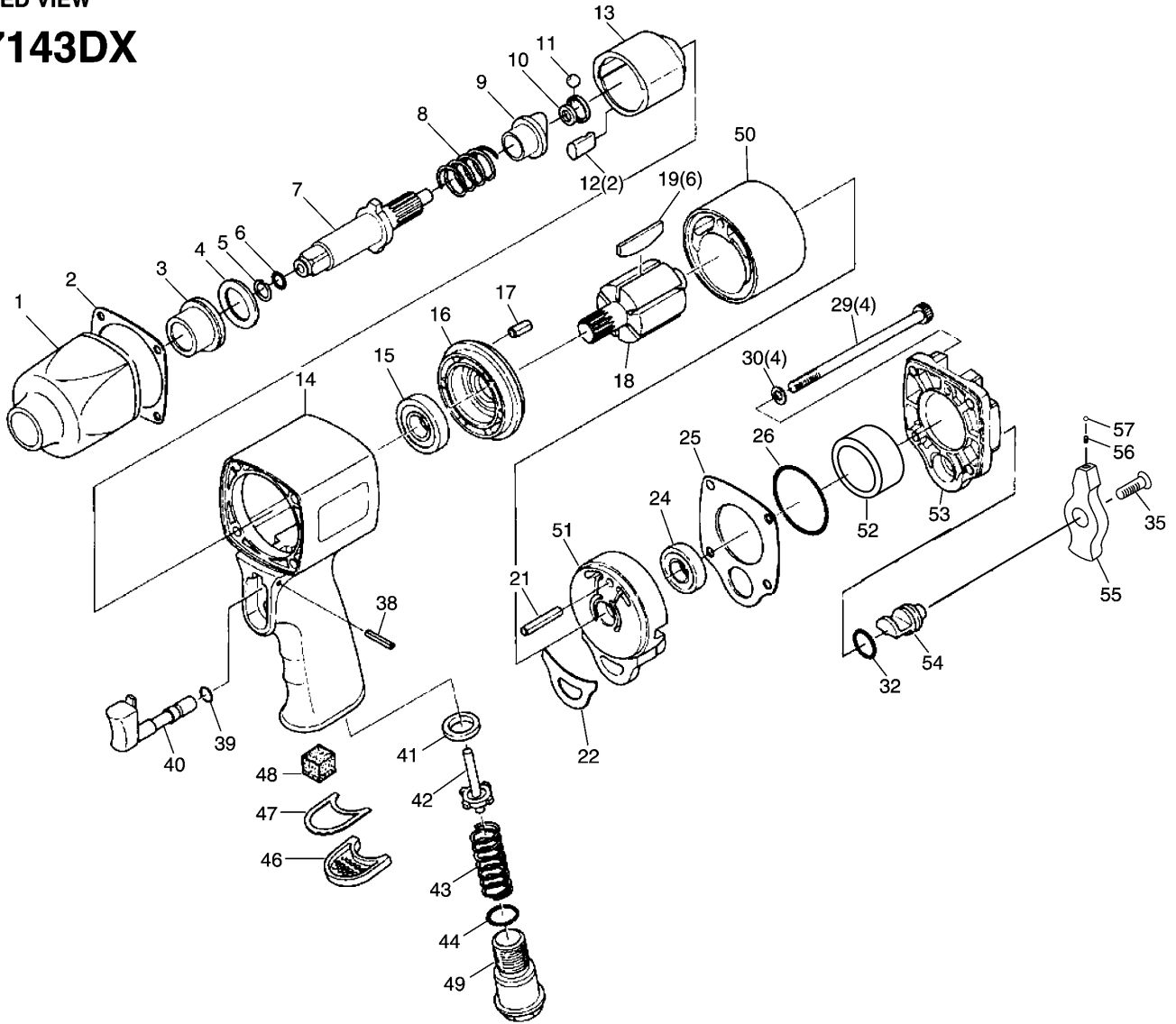


# 1/2" SQ. DR. MINI IMPACT WRENCH

EXPLODED VIEW

SP-7143DX



PARTS LIST

| Index No. | Parts No. | Description           | Qty. Per tool |
|-----------|-----------|-----------------------|---------------|
| 1         | 7143-01   | Hammer Case           | 1             |
| 2         | 7143-02   | Hammer Case Gasket    | 1             |
| 3         | 7143-03   | Housing Bush          | 1             |
| 4         | 7143-04   | Spacer                | 1             |
| 5         | 7143-05   | Retainer Ring         | 1             |
| 6         | 7143-06   | O-Ring                | 1             |
| 7         | 7143-07   | Anvil Shank(1/2")     | 1             |
| 8         | 7143-08   | Spring Cam Release    | 1             |
| 9         | 7143-09   | Cam                   | 1             |
| 10        | 7143-10   | Pilot Cam Ball        | 1             |
| 11        | 7143-11   | Cam Ball              | 1             |
| 12        | 7143-12   | Hammer                | 2             |
| 13        | 7143-13   | Hammer Cage           | 1             |
| 14        | 7143-14   | Motor Housing         | 1             |
| 15        | 7143-15   | Ball Bearing          | 1             |
| 16        | 7143-16   | Front End Plate       | 1             |
| 17        | 7143-17   | Spring Pin            | 1             |
| 18        | 7143-18   | Rotor                 | 1             |
| 19        | 7143-19   | Rotor Blade           | 6             |
| 21        | 7143-21   | Spring Pin            | 1             |
| 22        | 7143-22   | Rear End Plate Gasket | 1             |
| 24        | 7143-24   | Ball Bearing          | 1             |
| 25        | 7143-25   | Housing Cap Gasket    | 1             |
| 26        | 7143-26   | O-Ring                | 1             |

| Index No. | Parts No. | Description             | Qty. Per tool |
|-----------|-----------|-------------------------|---------------|
| 29        | 7143-29   | Screw                   | 4             |
| 30        | 7143-30   | Spring Washer           | 4             |
| 32        | 7143-32   | O-Ring                  | 1             |
| 35        | 7143-35   | Screw                   | 1             |
| 38        | 7143-38   | Spring Pin              | 1             |
| 39        | 7143-39   | O-Ring                  | 1             |
| 40        | 7143-40   | Trigger                 | 1             |
| 41        | 7143-41   | Valve Seat              | 1             |
| 42        | 7143-42   | Valve                   | 1             |
| 43        | 7143-43   | Valve Spring            | 1             |
| 44        | 7143-44   | O-Ring                  | 1             |
| 46        | 7143-46   | Deflector               | 1             |
| 47        | 7143-47   | Deflector Gasket        | 1             |
| 48        | 7143-48   | Muffler Foam            | 1             |
| 49        | 7143-49   | Inlet Bushing           | 1             |
| 50        | 7143DX-50 | Cylinder                | 1             |
| 51        | 7143DX-51 | Rear End Plate          | 1             |
| 52        | 7143DX-52 | Ring                    | 1             |
| 53        | 7143DX-53 | Housing Cap             | 1             |
| 54        | 7143DX-54 | Reverse Valve           | 1             |
| 55        | 7143DX-55 | Reverse Regulator Lever | 1             |
| 56        | 7143DX-56 | Spring                  | 1             |
| 57        | 7143DX-57 | Steel Ball              | 1             |