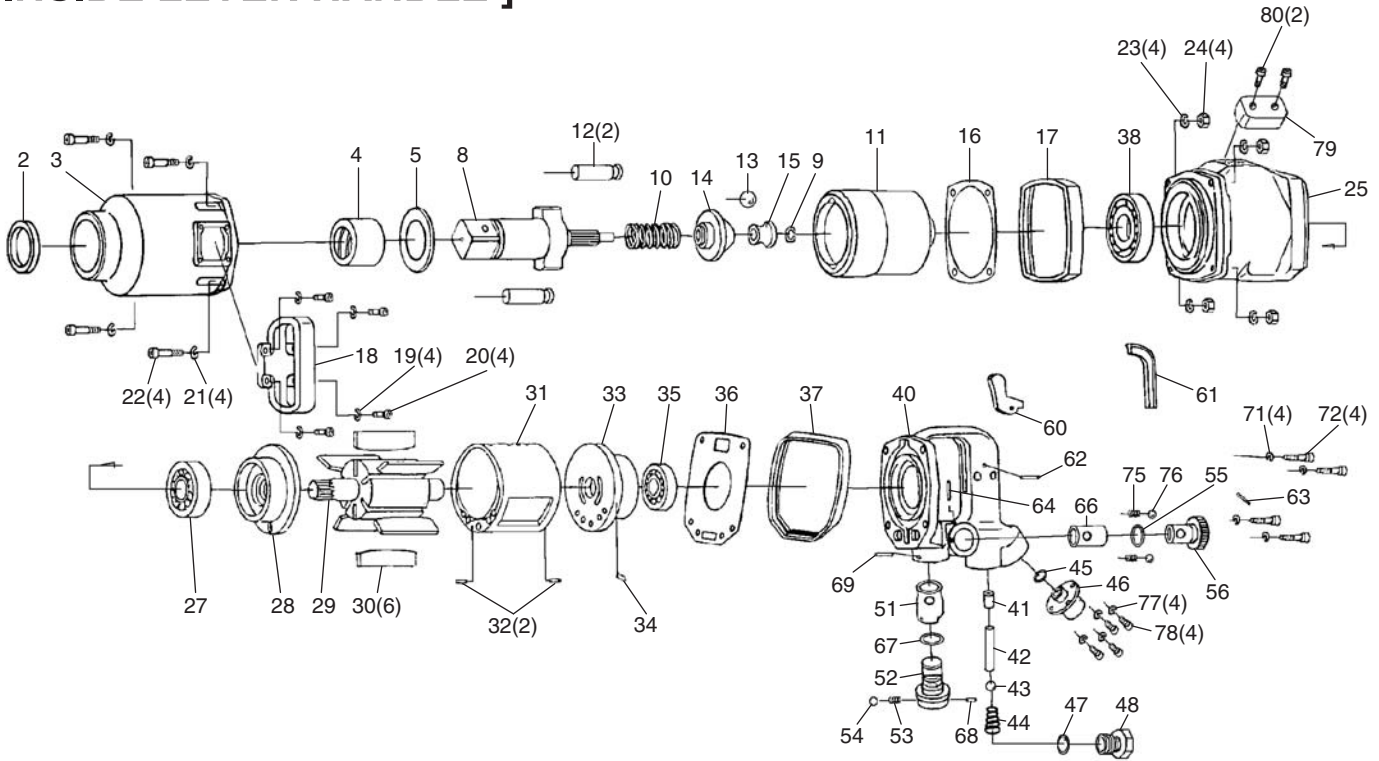


# 1-1/2" IMPACT WRENCH

EXPLODED VIEW

SP-6500

[ INSIDE LEVER HANDLE ]



## PARTS LIST

Index No.	Parts No.	Description	Qty. Per tool
2	6500-02	Oil Seal	1
3	6500-03	Hammer Case Assy (Incl:2~4)	1
4	6500-04	Hammer Case Bushing	1
5	6500-05	Thrust Washer	1
8	6500-08	Anvil	1
9	6500-09	Stop Ring	1
10	6500-10	Cam Spring	1
11	6500-11	Hammer Cage	1
12	6500-12	Hammer Pin	2
13	6500-13	Steel Ball	1
14	6500-14	Cam (Driver)	1
15	6500-15	Ball Guide	1
16	6500-16	Hammer Case Packing	1
17	6500-17	Front Protect Rubber	1
18	6500-18	D-Handle	1
19	6500-19	Spring Washer (for D-Handle)	4
20	6500-20	Hex. Cap Bolt (for D-Handle)	4
21	6500-21	Spring Washer	4
22	6500-22	Hex. Cap Bolt	4
23	6500-23	Spring Washer	4
24	6500-24	Hex. Nut	4
25	6500-25	Motor Case Assy	1
27	6500-27	Ball Bearing	1
28	6500-28	Front End Plate	1
29	6500-29	Rotor	1
30	6500-30	Vane	6
31	6500-31	Cylinder Assy (Incl:31,32)	1
32	6500-32	Spring Pin	2
33	6500-33	Rear End Plate Assy (Incl:33,34)	1
34	6500-34	Spring Pin	1
35	6500-35	Ball Bearing	1
36	6500-36	Motor Case Packing	1
37	6500-37	Rear Protect Rubber	1
38	6500-38	Ball Bearing	1

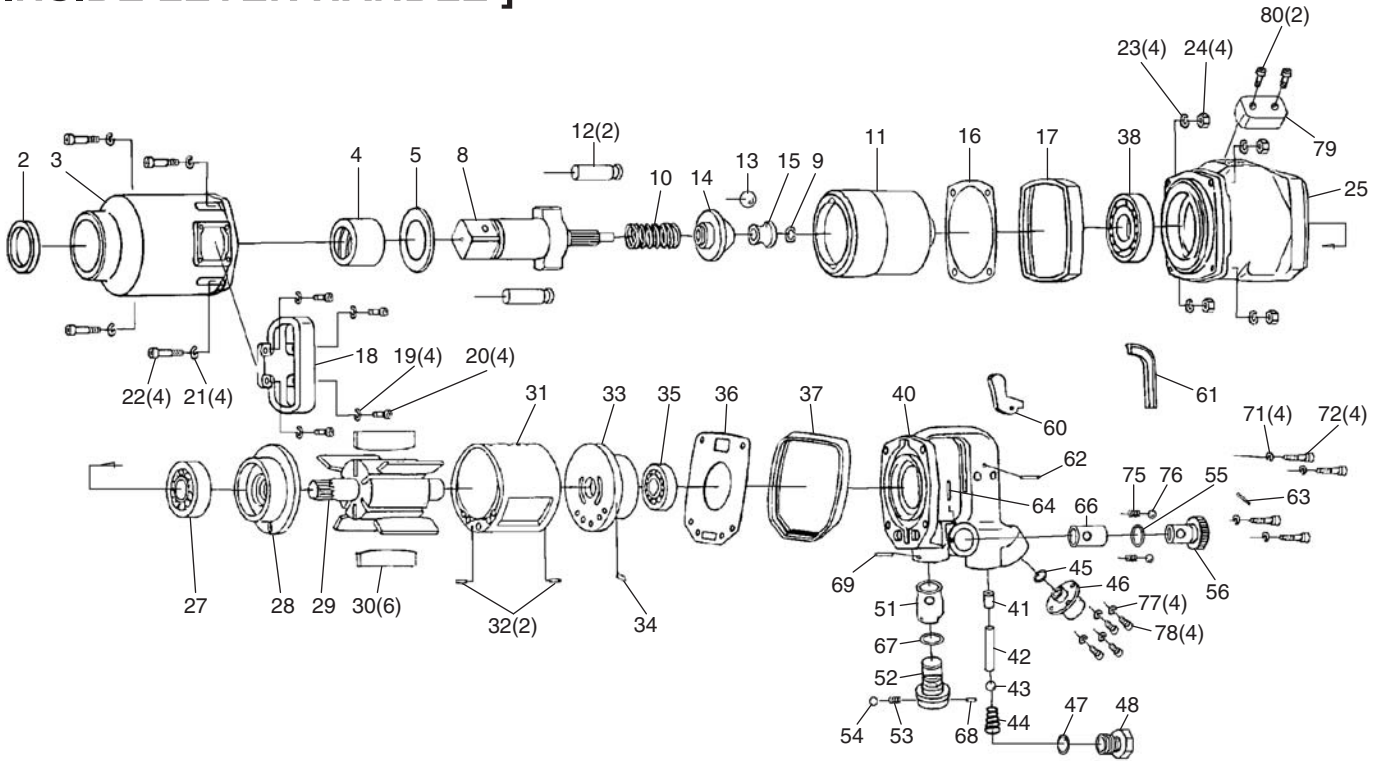
Index No.	Parts No.	Description	Qty. Per tool
40	6500-40	Frame Handle Assy (Inside/incl:36,40~78)	1
41	6500-41	Throttle Bushing	1
42	6500-42	Throttle Pin	1
43	6500-43	Throttle Valve	1
44	6500-44	Throttle Spring	1
45	6500-45	O-Ring	1
46	6500-46	Inlet Bushing	1
47	6500-47	O-Ring	1
48	6500-48	Throttle Plug	1
51	6500-51	Valve Bushing	1
52	6500-52	Reverse Valve Assy (Incl:52,68)	1
53	6500-53	Spring	1
54	6500-54	Steel Ball	1
55	6500-55	O-Ring	1
56	6500-56	Adjust Valve	1
60	6500-60	Inside Lever	1
61	6500-61	Rubber (for Inside Lever)	1
62	6500-62	Spring Pin	1
63	6500-63	Needle Pin	1
64	6500-64	Spring Pin	1
66	6500-66	Adjust Bushing	1
67	6500-67	O-Ring	1
68	6500-68	Spring Pin	1
69	6500-69	Spring Pin	1
71	6500-71	Spring Washer	4
72	6500-72	Hex. Cap Bolt	4
75	6500-75	Spring	2
76	6500-76	Steel Ball	2
77	6500-77	Spring Washer	4
78	6500-78	Hex. Cap Bolt	4
79	6500-79	Exhaust Rubber	1
80	6500-80	Hex. Cap Bolt	2

# 1-1/2" IMPACT WRENCH

EXPLODED VIEW

SP-6500

[ INSIDE LEVER HANDLE ]



## PARTS LIST

Index No.	Parts No.	Description	Qty. Per tool
2	6500-02	Oil Seal	1
3	6500-03	Hammer Case Assy (Incl:2~4)	1
4	6500-04	Hammer Case Bushing	1
5	6500-05	Thrust Washer	1
8	6500-08	Anvil	1
9	6500-09	Stop Ring	1
10	6500-10	Cam Spring	1
11	6500-11	Hammer Cage	1
12	6500-12	Hammer Pin	2
13	6500-13	Steel Ball	1
14	6500-14	Cam (Driver)	1
15	6500-15	Ball Guide	1
16	6500-16	Hammer Case Packing	1
17	6500-17	Front Protect Rubber	1
18	6500-18	D-Handle	1
19	6500-19	Spring Washer (for D-Handle)	4
20	6500-20	Hex. Cap Bolt (for D-Handle)	4
21	6500-21	Spring Washer	4
22	6500-22	Hex. Cap Bolt	4
23	6500-23	Spring Washer	4
24	6500-24	Hex. Nut	4
25	6500-25	Motor Case Assy	1
27	6500-27	Ball Bearing	1
28	6500-28	Front End Plate	1
29	6500-29	Rotor	1
30	6500-30	Vane	6
31	6500-31	Cylinder Assy (Incl:31,32)	1
32	6500-32	Spring Pin	2
33	6500-33	Rear End Plate Assy (Incl:33,34)	1
34	6500-34	Spring Pin	1
35	6500-35	Ball Bearing	1
36	6500-36	Motor Case Packing	1
37	6500-37	Rear Protect Rubber	1
38	6500-38	Ball Bearing	1

Index No.	Parts No.	Description	Qty. Per tool
40	6500-40	Frame Handle Assy (Inside/incl:36,40~78)	1
41	6500-41	Throttle Bushing	1
42	6500-42	Throttle Pin	1
43	6500-43	Throttle Valve	1
44	6500-44	Throttle Spring	1
45	6500-45	O-Ring	1
46	6500-46	Inlet Bushing	1
47	6500-47	O-Ring	1
48	6500-48	Throttle Plug	1
51	6500-51	Valve Bushing	1
52	6500-52	Reverse Valve Assy (Incl:52,68)	1
53	6500-53	Spring	1
54	6500-54	Steel Ball	1
55	6500-55	O-Ring	1
56	6500-56	Adjust Valve	1
60	6500-60	Inside Lever	1
61	6500-61	Rubber (for Inside Lever)	1
62	6500-62	Spring Pin	1
63	6500-63	Needle Pin	1
64	6500-64	Spring Pin	1
66	6500-66	Adjust Bushing	1
67	6500-67	O-Ring	1
68	6500-68	Spring Pin	1
69	6500-69	Spring Pin	1
71	6500-71	Spring Washer	4
72	6500-72	Hex. Cap Bolt	4
75	6500-75	Spring	2
76	6500-76	Steel Ball	2
77	6500-77	Spring Washer	4
78	6500-78	Hex. Cap Bolt	4
79	6500-79	Exhaust Rubber	1
80	6500-80	Hex. Cap Bolt	2