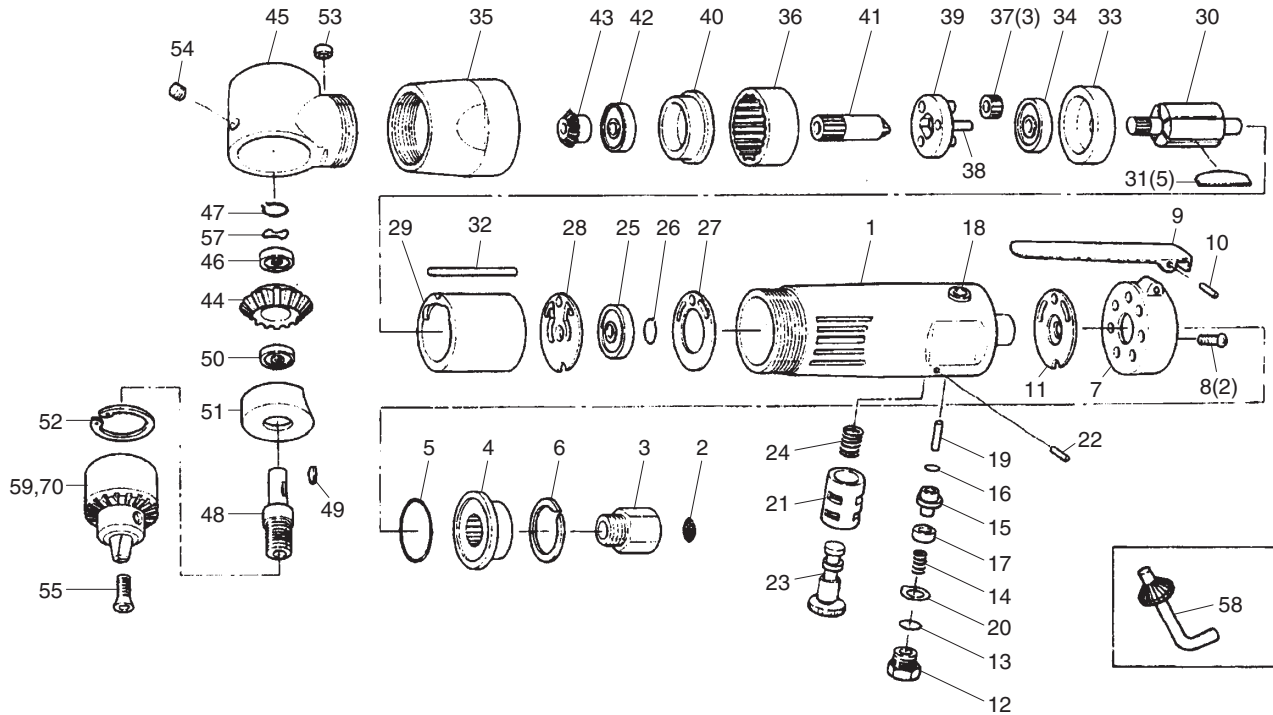


3/8" REVERSIBLE ANGLE HEAD DRILL

EXPLODED VIEW

SP-1510AH(KL)



PARTS LIST

Index No.	Parts No.	Description	Qty. Per tool
1	510AH-01	Motor Housing Assy (Incl:18,21)	1
2	510AH-02	Screen	1
3	510AH-03	Inlet Bushing	1
4	510AH-04	Deflector	1
5	510AH-05	O-Ring	1
6	510AH-06	Deflector Stop Ring	1
7	510AH-07	Housing Cap	1
8	510AH-08	Screw	2
9	510AH-09	Throttle Lever	1
10	510AH-10	Spring Pin	1
11	510AH-11	Housing Gasket	1
12	510AH-12	Valve Screw	1
13	510AH-13	O-Ring	1
14	510AH-14	Valve Spring	1
15	510AH-15	Valve	1
16	510AH-16	O-Ring	1
17	510AH-17	O-Ring Retainer	1
18	510AH-18	Valve Bushing	1
19	510AH-19	Valve Pin	1
20	510AH-20	Reverse Retainer	1
21	510AH-21	Reverse Bushing	1
22	510AH-22	Spring Pin	1
23	510AH-23	Reverse Valve	1
24	510AH-24	Reverse Spring	1
25	510AH-25	Ball Bearing	1
26	510AH-26	Retainer Ring	1
27	510AH-27	Motor Gasket	1
28	510AH-28	Rear End Plate	1
29	510AH-29	Cylinder	1

Index No.	Parts No.	Description	Qty. Per tool
30	510AH-30	Rotor	1
31	510AH-31	Rotor Blade	5
32	510AH-32	Motor Pin	1
33	510AH-33	Front End Plate	1
34	510AH-34	Ball Bearing	1
35	510AH-35	Lock Ring	1
36	510AH-36	Internal Gear	1
37	510AH-37	Planet Gear	3
39	510AH-39	Cage Assy (Incl:38)	1
40	510AH-40	Spacer	1
41	510AH-41	Gear Spindle	1
42	510AH-42	Ball Bearing	1
43	510AH-43	Pinion	1
44	510AH-44	Gear	1
45	510AH-45	Angle Housing	1
46	510AH-46	Ball Bearing	1
47	510AH-47	Retainer Ring	1
48	510AH-48	Spindle	1
49	510AH-49	Key	1
50	510AH-50	Ball Bearing	1
51	510AH-51	Bearing Case	1
52	510AH-52	Retainer Ring	1
53	510AH-53	Ball Cap	1
54	510AH-54	Set Screw	1
55	510AH-55	Screw	1
57	510AH-57	Wave Washer	1
58	510AH-58	Chuck Key	1
59	510AH-59	3/8" Drill Chuck	1
70	510AH-70	Key Less Chuck	1